

**Remington**

**PETERS**

**DU PONT**

# LAW

## ENFORCEMENT OFFICERS

### SERVICE *Bulletin*

VOLUME 5, NUMBER 4

NOVEMBER, 1969



## **NEW police handgun loads**

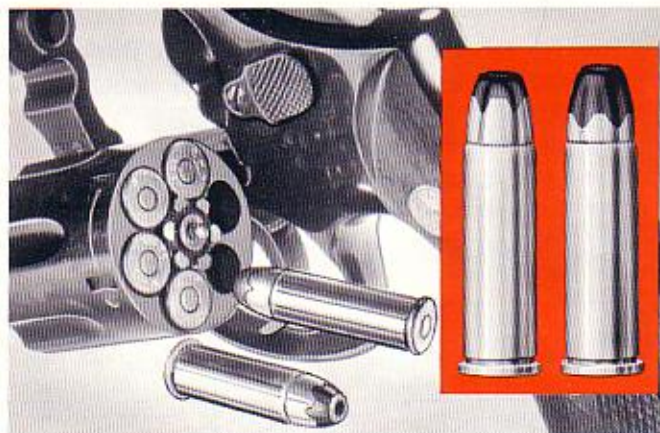
# **REMINGTON INTRODUCES 2 HIGH PERFORMANCE LOADS FOR 38 SPECIAL HANDGUNS**



Two new 38 Special caliber handgun loads, developed to provide law enforcement officers with greater defensive capability, are now available from Remington Arms Company, Inc.

Introduction of the new high performance cartridge extends to eight the number of Remington-manufactured 38 Special handgun loads. The latest additions are designed with semi-jacketed hollow point, 125-grain and 158-grain bullets offering better impact characteristics than standard performance loads. Higher velocity and greater energy, produced by improved powder and new bullet design, contribute to accuracy and on-target effectiveness.

The 125-grain load has a muzzle velocity of 1370 feet-per-second and a muzzle energy of 520 foot-pounds. The 158-grain bullet's muzzle velocity is 1150 feet-per-second and its muzzle energy is 465 foot-pounds. All ballistics figures were established in 6" barrels. In comparison, the Remington 158-grain Lead "Hi-Speed" 38 Special delivers



**New high performance 38 Special loads from Remington now give police personnel improved accuracy, impact characteristics and dependability in life-protecting situations.**

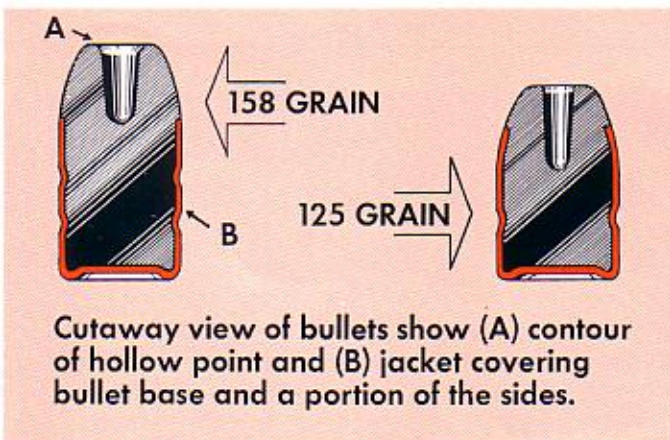
1090 feet-per-second and 415 foot-pounds at the muzzle with same length barrel.

Both of the new loads are specified by Remington to be fired only in handguns designed for the use of high velocity ammunition.

Developed at the request of law enforcement agencies, the two loads were extensively tested for months by police personnel, who fired more than 25,000 rounds in 357 Magnum and 38 Special revolvers.

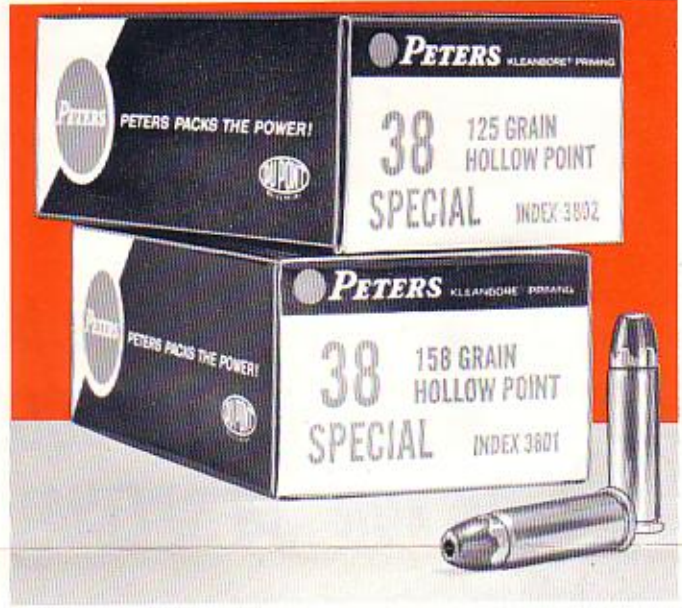
The hollow point design of the bullet reduces chance of over-penetration and consequent unintended impact on property or personnel.

Impact characteristics and on-target effectiveness of the loads were demonstrably superior to the standard lead bullet cartridges long used in law enforcement. The greater defensive capability provided to police officers by these improved loads will be welcomed by many law enforcement men, who have long sought a high performance



**Cutaway view of bullets show (A) contour of hollow point and (B) jacket covering bullet base and a portion of the sides.**

158-grain bullet (left) has jacket rising only slightly above case mouth. 125-grain bullet's jacket rises halfway up the nose.



Newest law enforcement loads from Remington. They're available in both Remington and Peters brands. Packed in 50-round boxes, with styrofoam trays. High performance cartridges to meet police needs.

round that would be more adequately responsive to assaults upon police personnel and upon the lives of citizens the police are sworn to protect.

These new items of ammunition for law enforcement are

being produced in both Remington and Peters brands, and are packed in 50-round boxes with styrofoam trays.

Ballistics of these cartridges are charted below. All figures were established with 6" barrels.

| INDEX NUMBER             | BULLET STYLE               | BULLET WEIGHT GRAINS | PRIMER NUMBER | VELOCITY FEET-PER-SECOND |         |          | ENERGY FOOT-POUNDS |         |          | *MID-RANGE TRAJECTORY |          |
|--------------------------|----------------------------|----------------------|---------------|--------------------------|---------|----------|--------------------|---------|----------|-----------------------|----------|
|                          |                            |                      |               | Muzzle                   | 50 yds. | 100 yds. | Muzzle             | 50 yds. | 100 yds. | 50 yds.               | 100 yds. |
| Rem. 2038<br>Peters 3802 | Semi-jacketed hollow point | 125                  | 1½            | 1370                     | 1200    | 1090     | 520                | 400     | 330      | 0.7"                  | 3.0"     |
| Rem. 1038<br>Peters 3801 | Semi-jacketed hollow point | 158                  | 1½            | 1150                     | 1070    | 1010     | 465                | 400     | 360      | 0.9"                  | 3.8"     |

\*Approximate height of bullet above line-of-sight at mid-point of the stated range.

